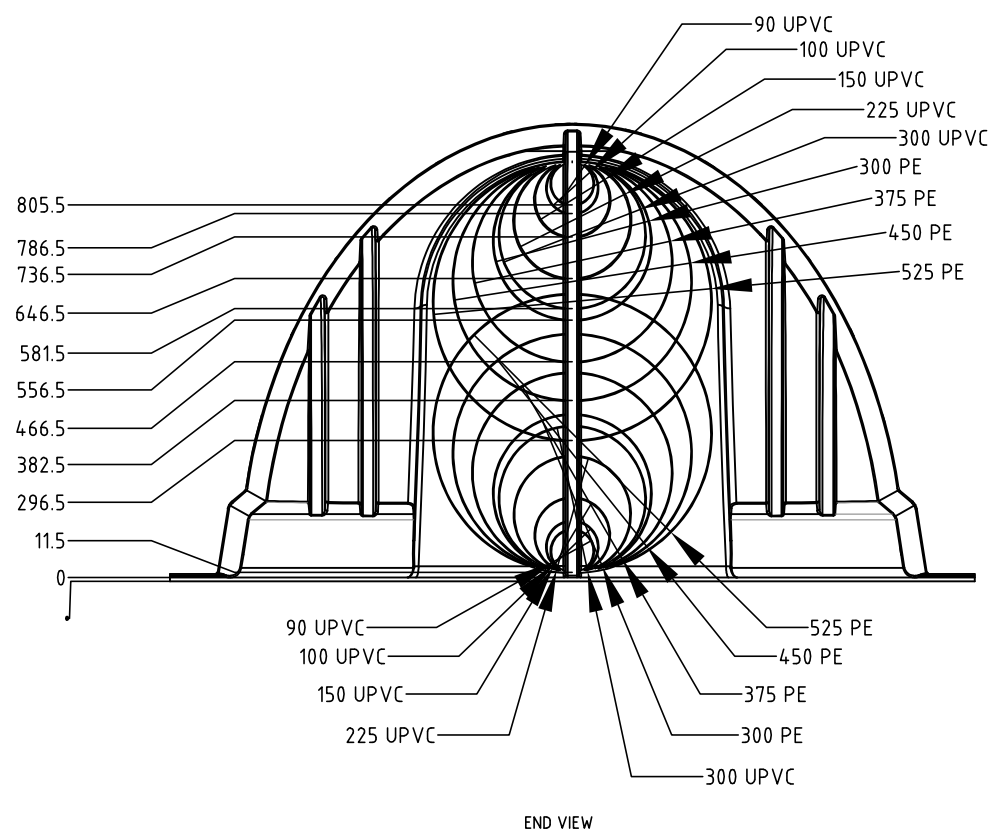
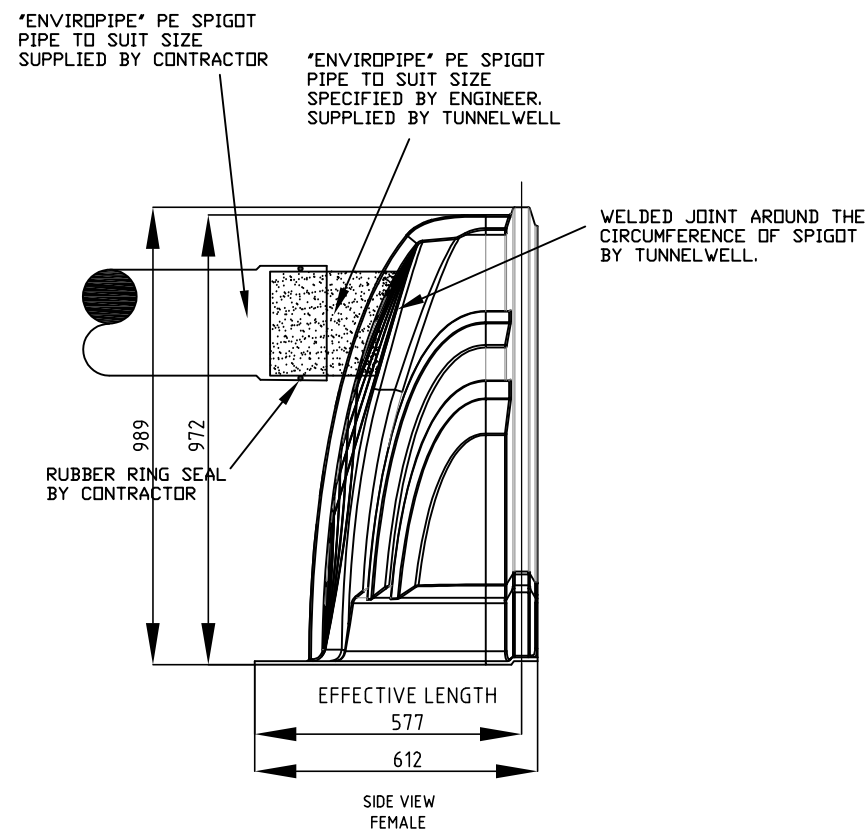


DO NOT MEASURE FROM THIS DRAWING
IF IN DOUBT - ASK!



DETAIL OF 1M3 END CAP - SPIGOT CONNECTION (NTS)



DETAIL OF 1M3 END CAP - SPIGOT CONNECTION (NTS)



SENTRY HOLDINGS PTY LTD
PO Box 1243
Osborne Park WA, 6919
Call: 1300 438 653
Phone: +61 8 9244 1456
sales@tunnelwell.com
COPYRIGHT 2021
SENTRY HOLDINGS PTY LTD
WARNING: Copyright in this drawing remains
the property of Sentry Holdings Pty Ltd and
copying in whole or part is not permitted without
the written authority of the copyright owner.

PRODUCT		PART NAME		PART NO.		REV	DATE
1M ³ ARCH		ARCH - ROTO MOULDED		TW-1000-EC - S		1	15/08/2022
SCALE: 1:16	A4	APPROX WEIGHT IN KG'S	MATERIAL	FINISH		DRN:	MJW
			LINEAR LOW DENSITY POLYETHYLENE (LLDPE)	CLEAR/OPAQUE		APPVD:	MJW
						SHEET:	1