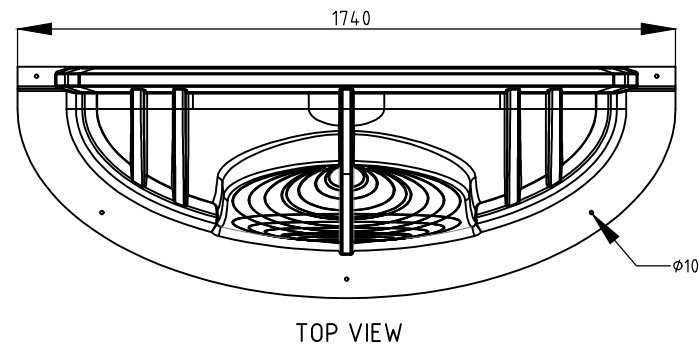
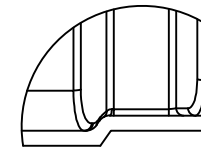


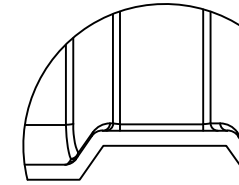
DO NOT MEASURE FROM THIS DRAWING
IF IN DOUBT - ASK!



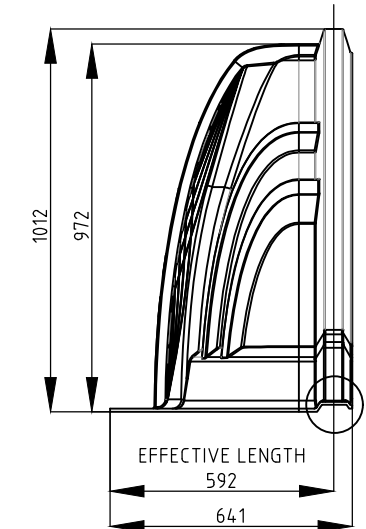
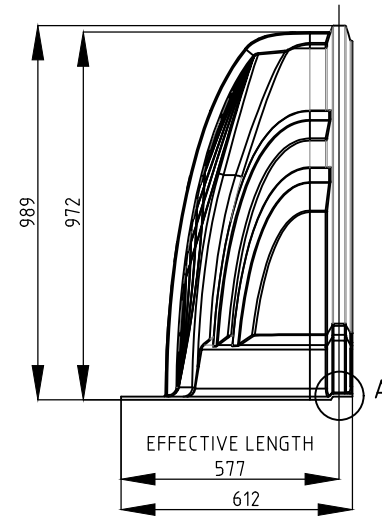
TOP VIEW



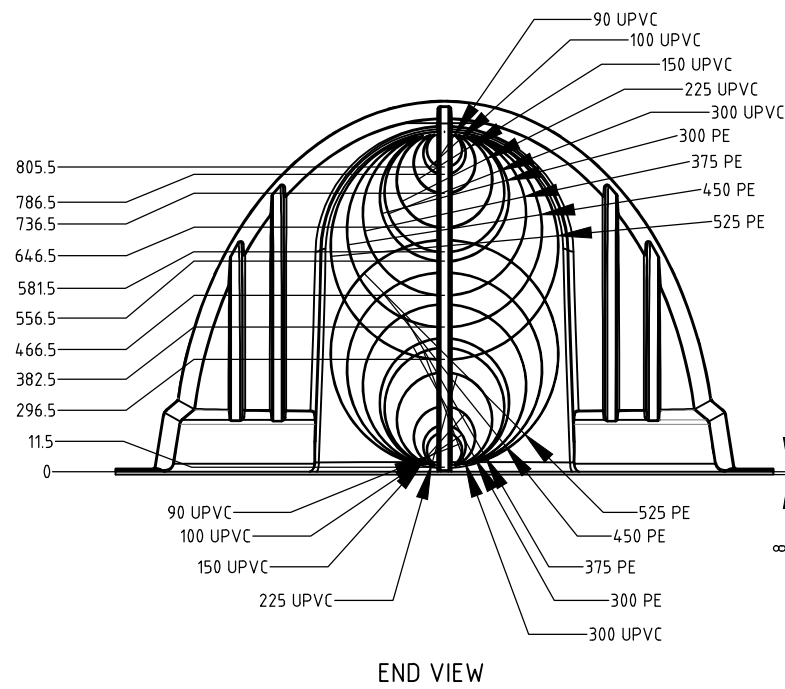
DETAIL A



DETAIL B



SIDE VIEW
MALE



END VIEW

PRODUCT INFORMATION DATA	
One Cubic Metre Arch - End Cap - Female	
Volume	275 litres
Infiltration Area at Base	0.54m ²
Weight	20kg
Effective Length	577mm
Material	Virgin Polyethylene
Steel Pins	N10 bar x 450mm long
Product Code	TW-1000-EC-F

PRODUCT INFORMATION DATA	
One Cubic Metre Arch - End Cap - Male	
Volume	325 litres
Infiltration Area at Base	0.62m ²
Weight	21kg
Effective Length	592mm
Material	Virgin Polyethylene
Steel Pins	N10 bar x 450mm long
Product Code	TW-1000-EC-M



SENTRY HOLDINGS PTY LTD
PO Box 1243
Osborne Park WA, 6919
Call: 1300 488 663
Phone: +61 8 9244 1456
sales@tunnelwell.com

COPYRIGHT 2021
SENTRY HOLDINGS PTY LTD
WARNING: Copyright in this drawing remains
the property of Sentry Holdings Pty Ltd and
copying in whole or part is not permitted without
the written authority of the copyright owner.

PRODUCT		PART NAME	PART NO.	REV	DATE
1M ³ ARCH		ARCH END CAP	TW-1000-EC-M/F	0	30/09/2021
SCALE: 1:20	A3	MATERIAL	FINISH	DRN:	MJW
	20/21	LINEAR LOW DENSITY POLYETHYLENE (LLDPE)	CLEAR/OPAQUE	APPVD:	MJW
				SHEET:	