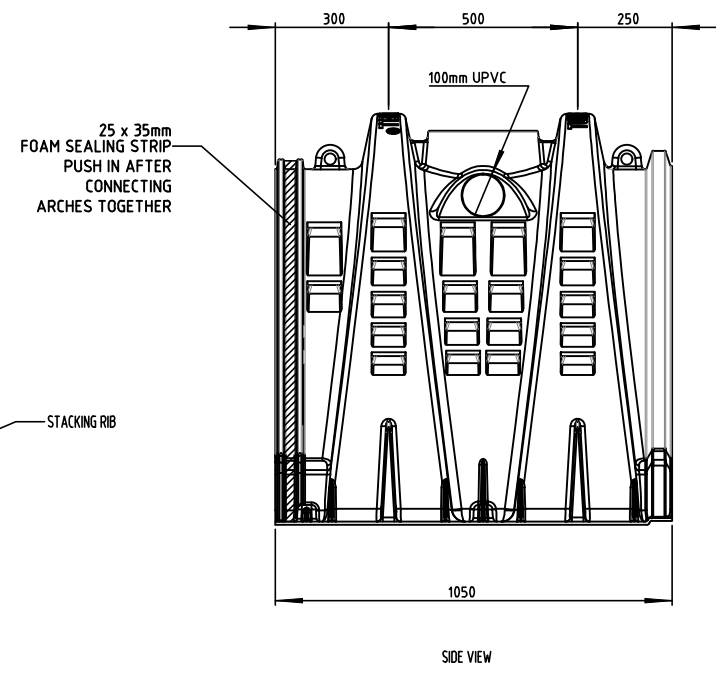
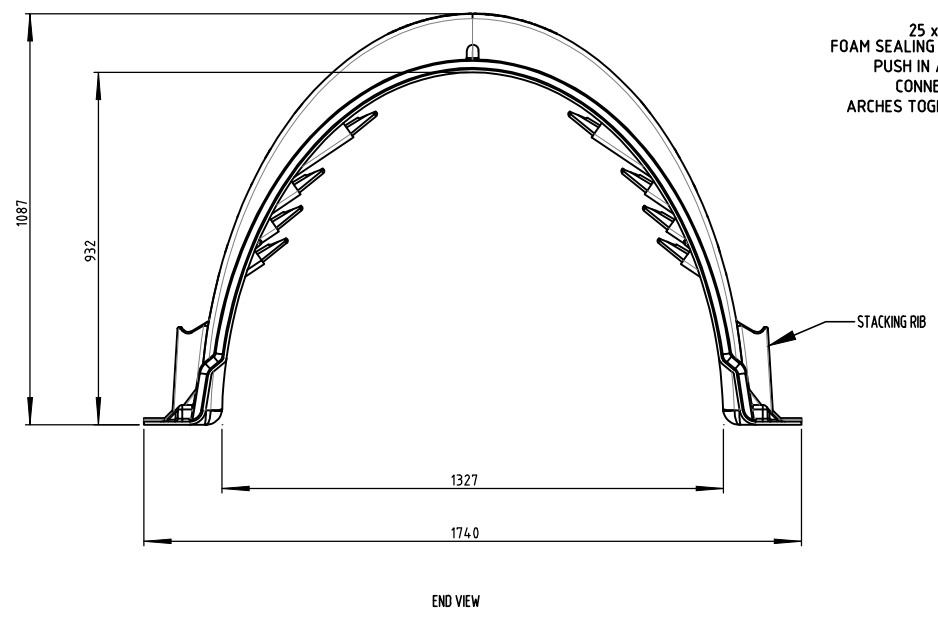
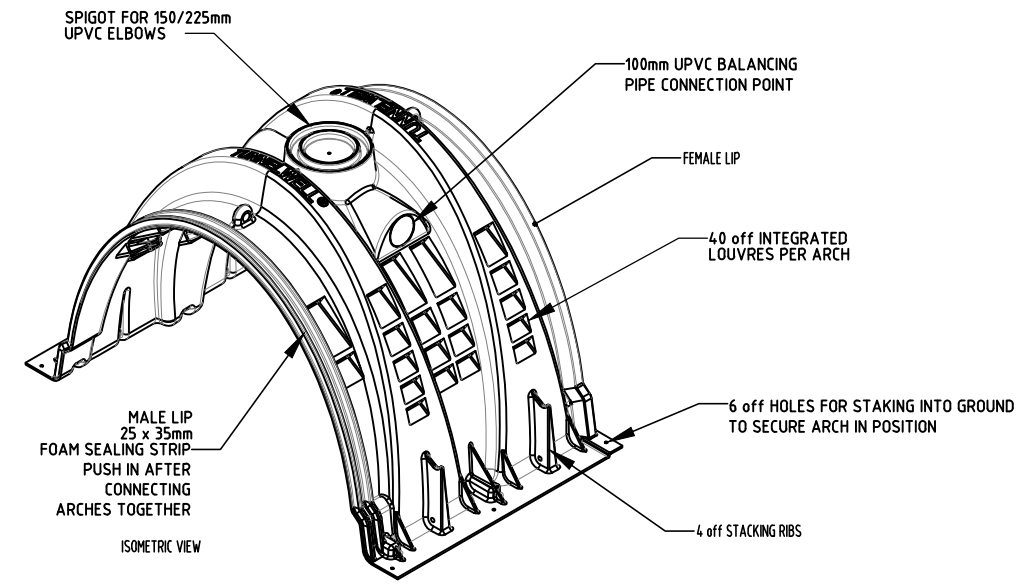
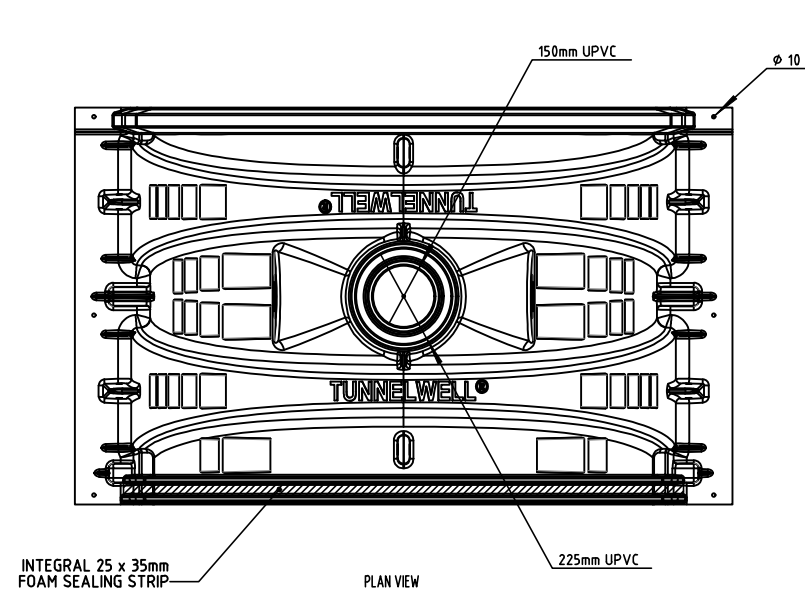


DO NOT MEASURE FROM THIS DRAWING  
IF IN DOUBT - ASK!



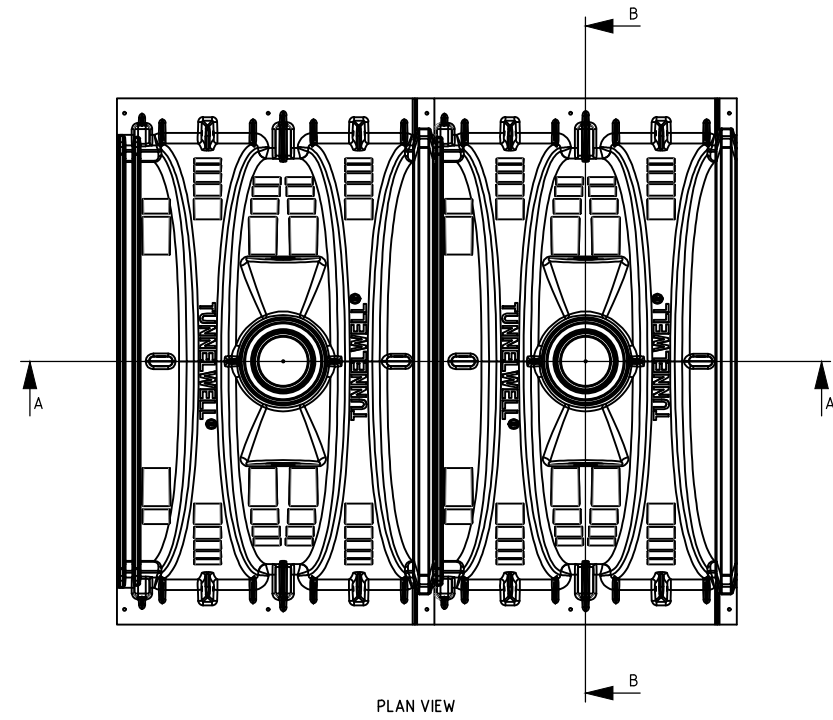
PRODUCT INFORMATION DATA	
One Cubic Metre Arch	
Volume	1000 litres
Infiltration Area at Base	1.52 m <sup>2</sup>
Weight	41-42kg
Effective Length	1000mm
Material	Virgin Polyethylene
Steel Pins	N10 bar x 450mm long
Product Code	TW-1000-A



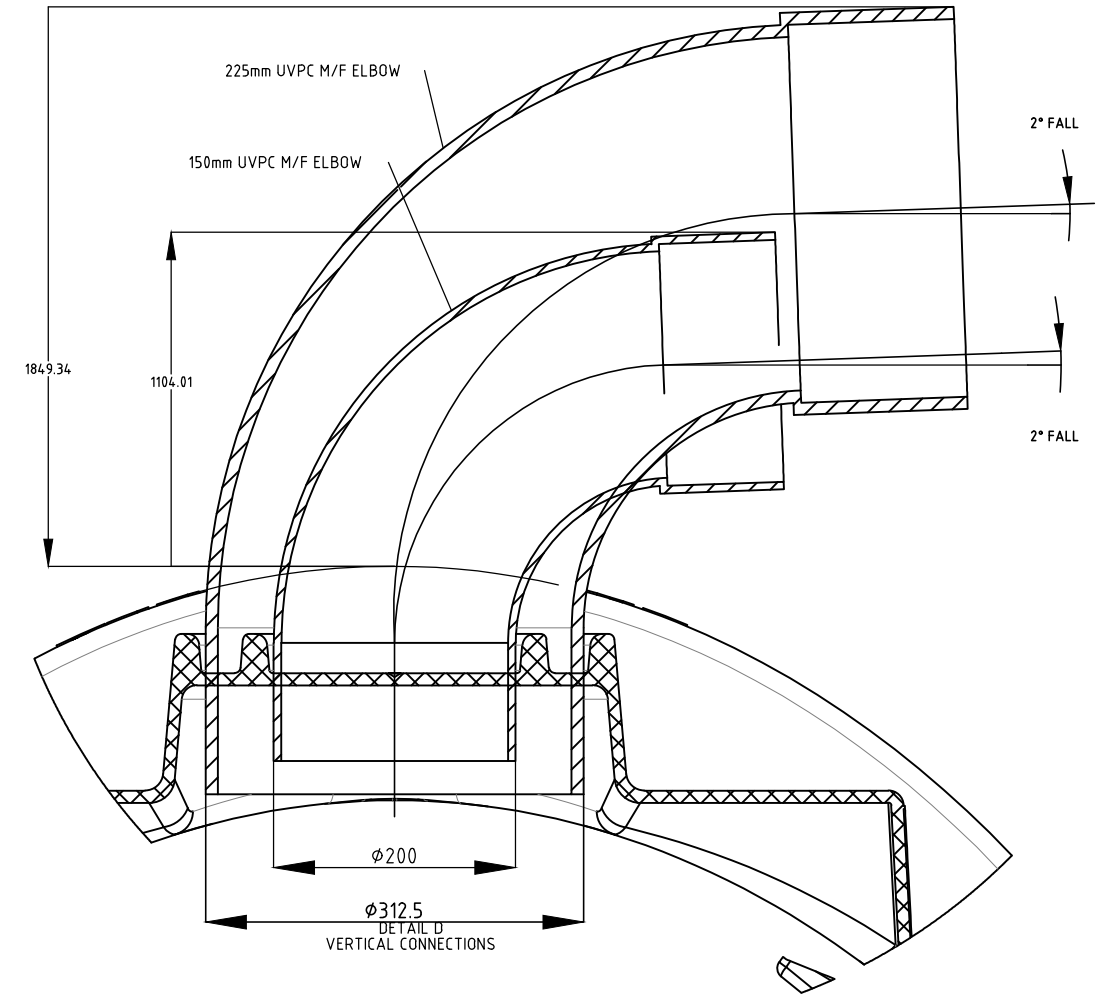
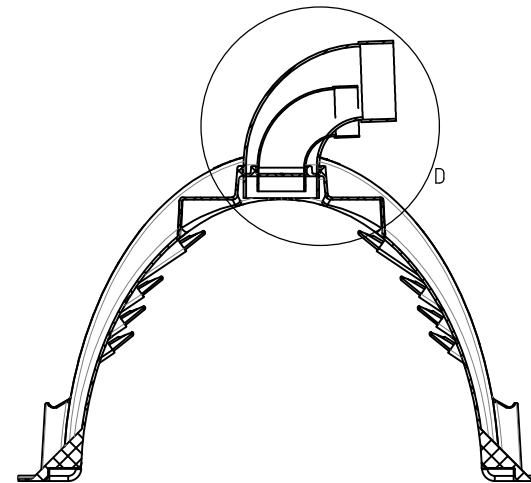
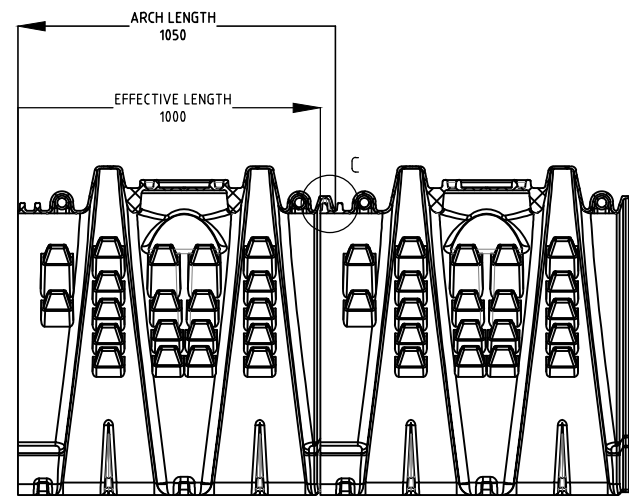
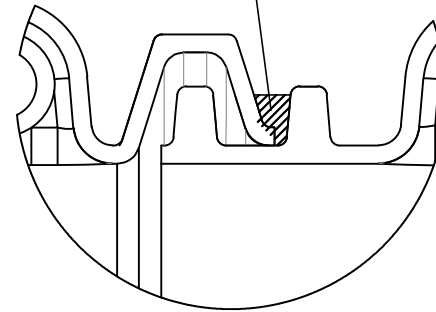
SENTRY HOLDINGS PTY LTD  
 PO Box 1243  
 Osborne Park WA, 6919  
 Call: 1300 488 663  
 Phone: +61 8 9244 1456  
 sales@tunnelwell.com  
 COPYRIGHT 2021  
 SENTRY HOLDINGS PTY LTD  
 WARNING: Copyright in this drawing remains the property of Sentry Holdings Pty Ltd and copying in whole or part is not permitted without the written authority of the copyright owner.

PRODUCT			PART NAME		PART NO.		REV	DATE
1M <sup>3</sup> ARCH			ARCH - ROTO MOULDED		TW-1000-A		0	30/09/2021
SCALE: 1:20	A3	APPROX WEIGHT IN KG'S	MATERIAL		FINISH		DRN:	MJW
		45	LINEAR LOW DENSITY POLYETHYLENE (LLDPE)		CLEAR/OPAQUE		APPVD:	MJW
							SHEET:	

DO NOT MEASURE FROM THIS DRAWING  
IF IN DOUBT - ASK!



NOTE:  
25mm x 35mm foam sealing strip.  
Push in after joining all  
arches together



SENTRY HOLDINGS PTY LTD  
PO Box 1243  
Osborne Park WA, 6919  
Call: 1300 488 663  
Phone: +61 8 9244 1456  
sales@tunnelwell.com

COPYRIGHT 2021  
SENTRY HOLDINGS PTY LTD

WARNING: Copyright in this drawing remains  
the property of Sentry Holdings Pty Ltd and  
copying in whole or part is not permitted without  
the written authority of the copyright owner.

PRODUCT		PART NAME		PART NO.		REV	DATE
1M <sup>3</sup> ARCH		ARCH - ROTO MOULDED		TW-1000-A		0	30/09/2021
SCALE: 1:25	A3	APPROX WEIGHT IN KG'S	MATERIAL	FINISH		DRN:	MJW
		45	LINEAR LOW DENSITY POLYETHYLENE (LLDPE)	CLEAR/OPAQUE		APPVD:	MJW
							SHEET: