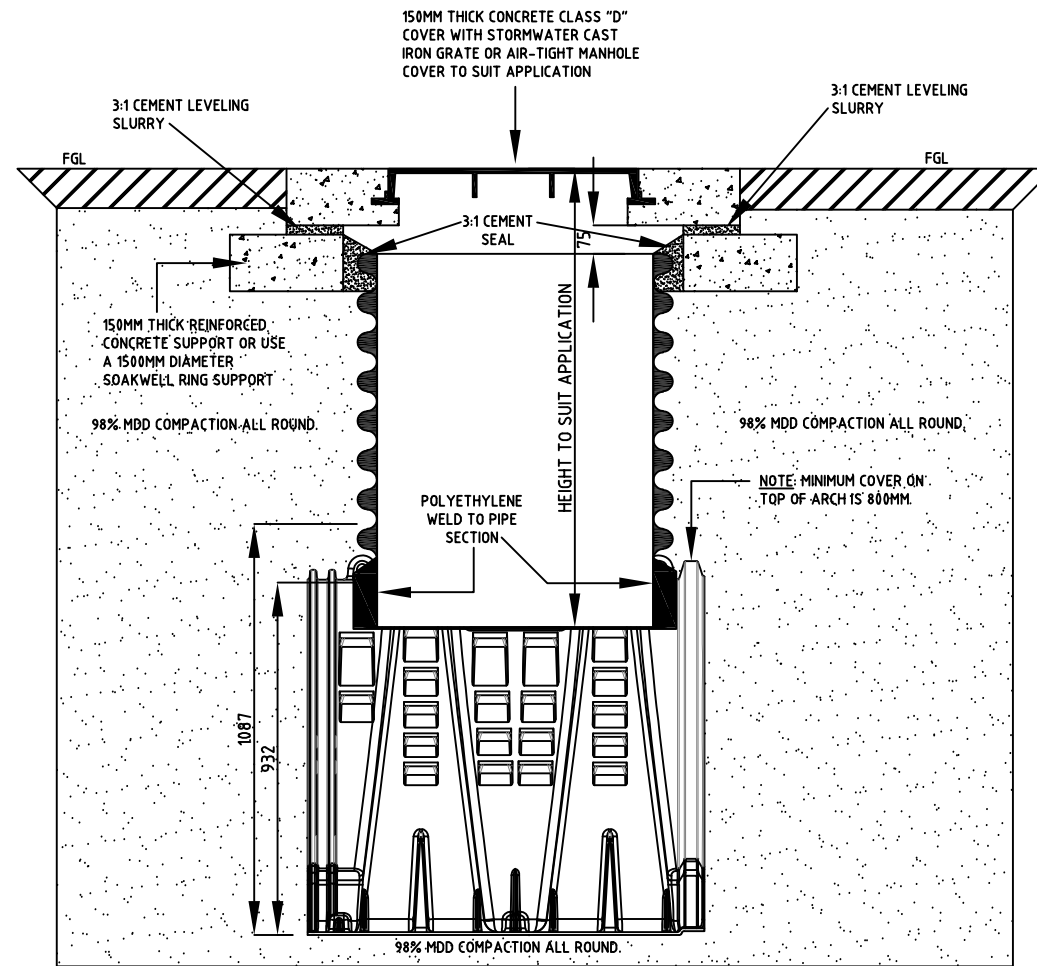
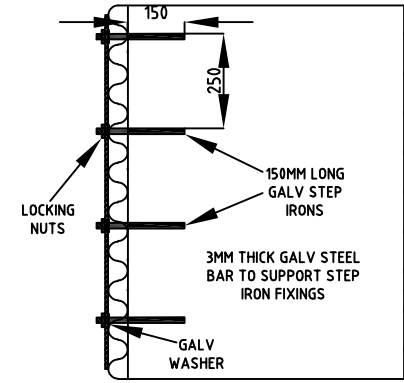


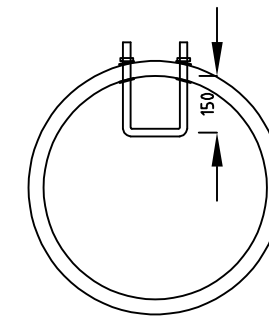
DO NOT MEASURE FROM THIS DRAWING  
IF IN DOUBT - ASK!



SECTION VIEW

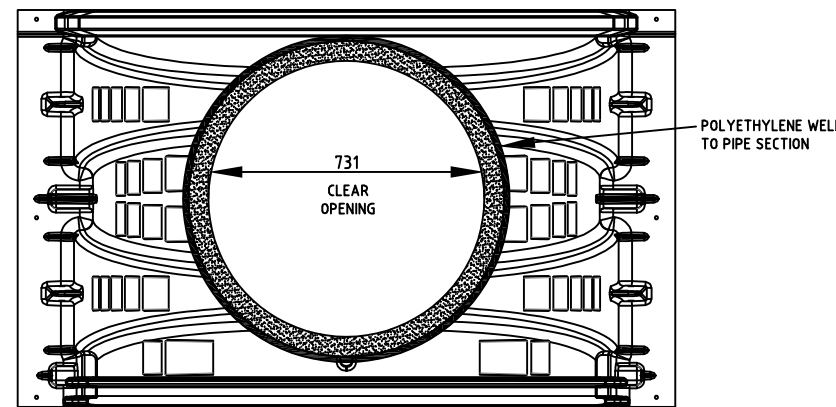


STEP IRON OPTION

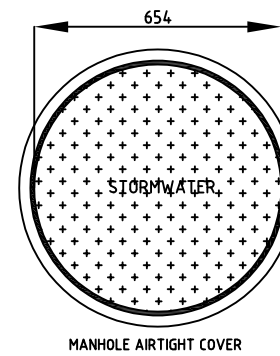


NOTES:

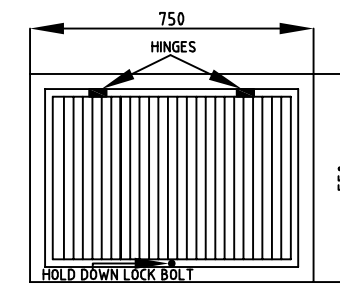
1. THIS APPLICATION IS ONLY AVAILABLE ON REQUEST.
2. EACH APPLICATION IS PRICED AT TIME OF REQUEST.
3. THERE MAY BE A LEAD TIME OF UP TO 4 WEEKS FOR DELIVERY DATE.
4. ALL COMPONENTS WILL BE SUPPLIED BY TUNNELWELL READY FOR DELIVERY.
5. CONFINED SPACE LEGISLATION APPLIES TO THIS APPLICATION



PLAN VIEW



MANHOLE AIRTIGHT COVER



GALV GRATED COVER

COVER OPTIONS - COVERS  
CAN BE RAISED UP TO 100MM

DETAIL OF 750MM MANHOLE ACCESS ARCH CONNECTION



SENTRY HOLDINGS PTY LTD  
PO Box 1243  
Osborne Park WA, 6919  
Call: 1300 488 663  
Phone: +61 8 9244 1456  
sales@tunnelwell.com  
COPYRIGHT 2021  
SENTRY HOLDINGS PTY LTD  
WARNING: Copyright in this drawing remains the property of Sentry Holdings Pty Ltd and copying in whole or part is not permitted without the written authority of the copyright owner.

PRODUCT			PART NAME	PART NO.	REV	DATE
SCALE: 1:20	A3	APPROX WEIGHT IN KG'S	750MM MANHOLE ACCESS TO ARCH	-	2	12/07/2022
			MATERIAL	FINISH	DRN: MJW	
					APPVD: MJW	
					SHEET: 1 OF 1	