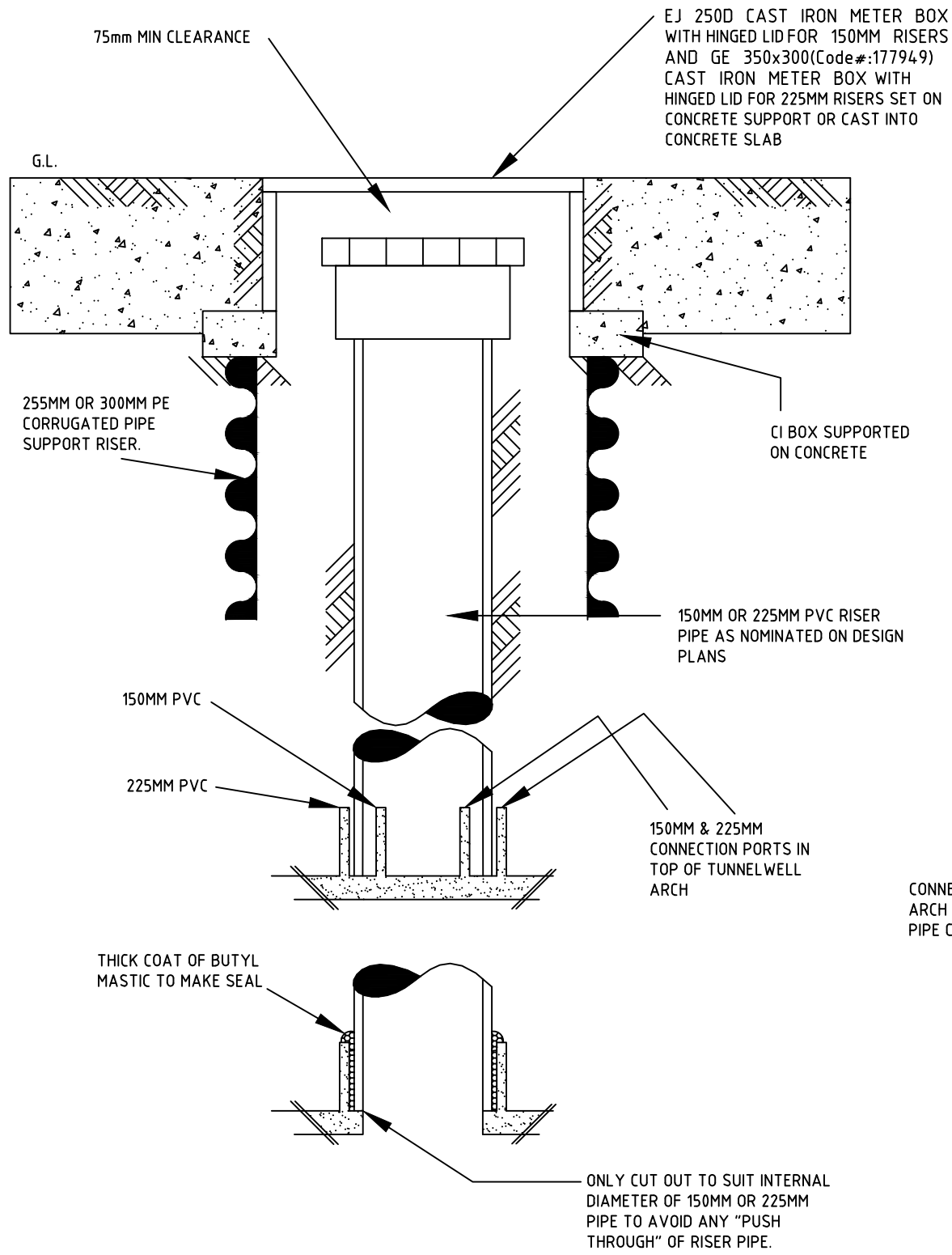
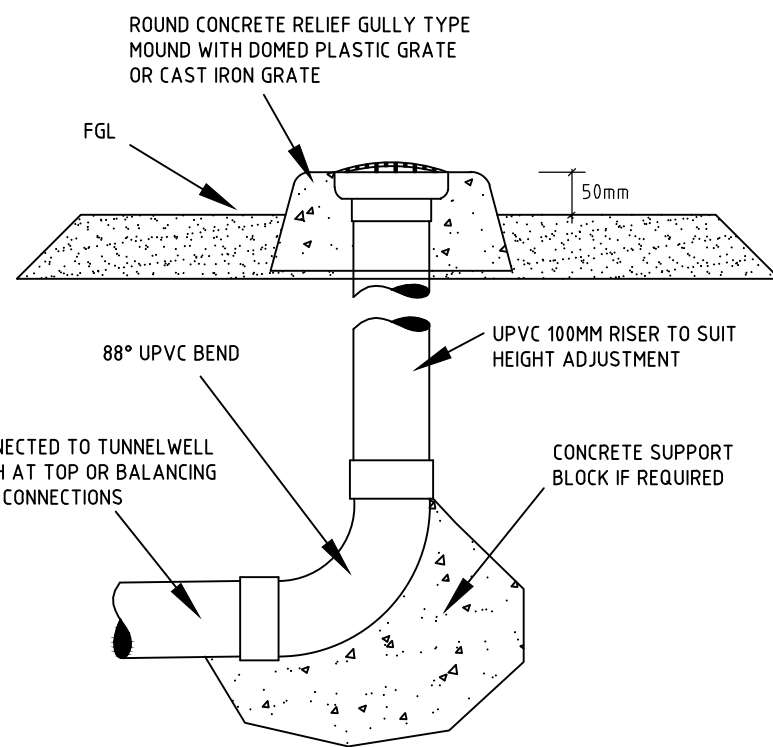


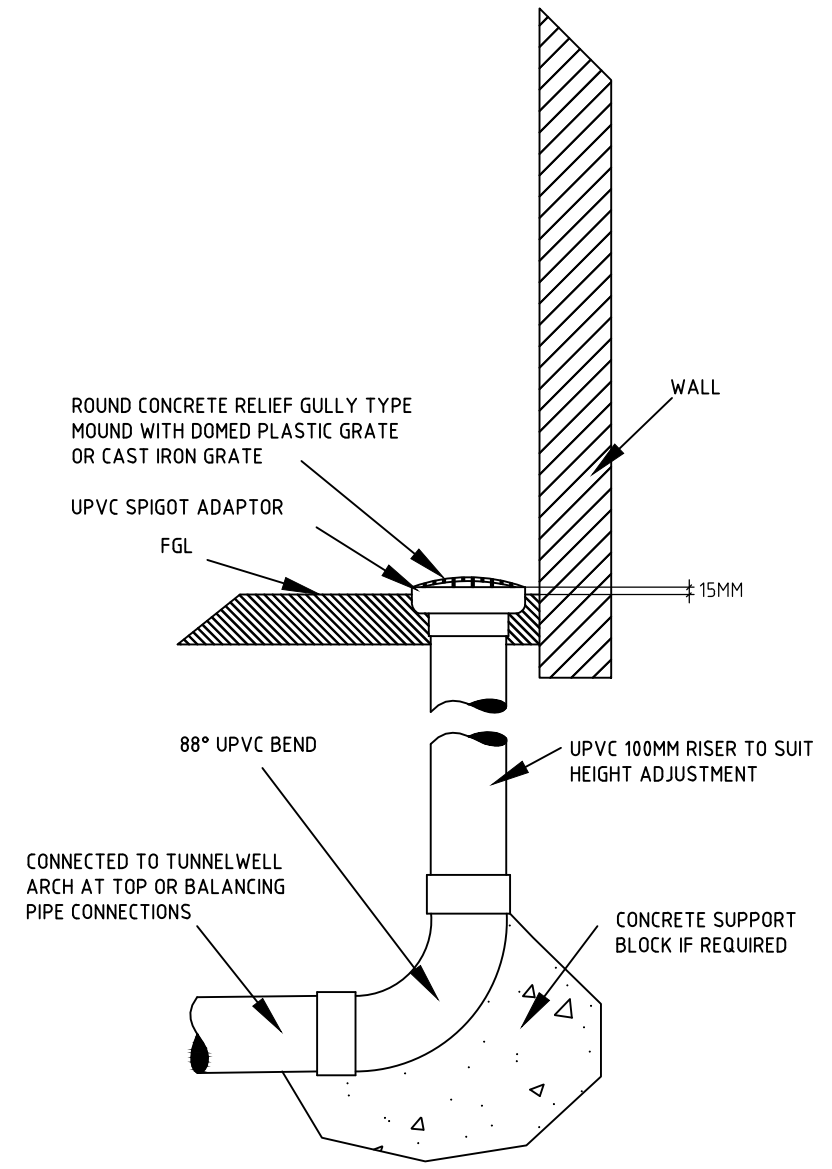
DO NOT MEASURE FROM THIS DRAWING
IF IN DOUBT - ASK!



DETAIL OF TUNNELWELL ACCESS POINT FOR INSPECTION AND CLEAN OUT (NTS)



DETAIL OF TUNNELWELL AIR RELIEF GRATE IN CONCRETE MOUND (NTS)



DETAIL OF TUNNELWELL AIR RELIEF GRATE IN CONCRETE MOUND (NTS)



SENTRY HOLDINGS PTY LTD
PO Box 1243
Osborne Park WA 6919
Call: 1300 488 663
Phone: +61 8 9244 1456
sales@tunnelwell.com

COPYRIGHT 2021
SENTRY HOLDINGS PTY LTD
WARNING: Copyright in this drawing remains the property of Sentry Holdings Pty Ltd and copying in whole or part is not permitted without the written authority of the copyright owner.

PRODUCT			PART NAME	PART NO.	REV	DATE
			DESIGN DETAILS	-	1	20/12/2021
SCALE: 1:10	A3	APPROX WEIGHT IN KG'S	MATERIAL	FINISH	DRN: MJW	
					APPVD: MJW	
					SHEET:	